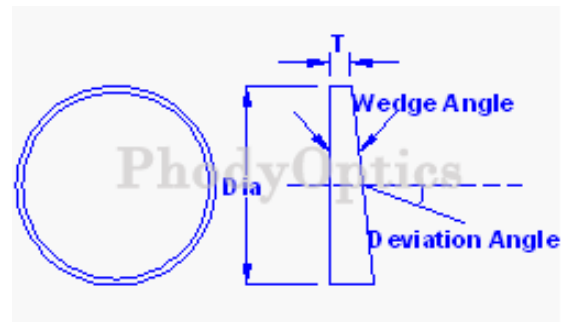



Wedge Prisms

Material:	BK7 or UV Fused Silica
Diameter Tolerance:	+0.1,-0.1mm
Surface Figure:	$\lambda/2$ — $\lambda/10@632.8\text{nm}$
Surface Quality:	40-20 scratch and dig
Centration:	30 arc sec — 3 arc min
Clear Aperture:	>90%
Bevel:	<0.25mm x 45°
Coating:	specified by customer


Wedge Prisms

Part No.	Deviation	Dia.(mm)	T(mm)	Wedge Angle
WP0353	2°	25.4	3.00	3°53'
WP0741	4°	25.4	3.00	7°41'
WP1122	6°	25.4	3.00	11°22'
WP1452	8°	25.4	3.00	14°52'
WP1809	10°	25.4	3.00	18°9'