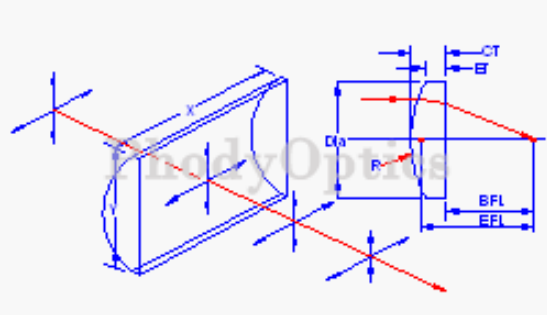


## UV Fused Silica Plano Convex Cylindrical Lenses

<b>Material:</b>	UV Fused Silica
<b>Design Wavelength:</b>	587.6nm
<b>Design Index:</b>	1.45846±0.0005
<b>Focal Length Tolerance:</b>	±1%
<b>Diameter Tolerance:</b>	+0.0,-0.1mm
<b>Center Thickness:</b>	±0.1mm
<b>Surface Figure:</b>	$\lambda/4@632.8\text{nm}$
<b>Surface Quality:</b>	40-20 scratch and dig
<b>Centration:</b>	3 arc minutes
<b>Clear Aperture:</b>	>90%
<b>Bevel:</b>	<0.25mm x 45°
<b>Coating:</b>	specified by customer



### UV Fused Silica Plano Convex Cylindrical Lenses

Part No.	EFL(mm)	X(mm)	Y(mm)	R1(mm)	CT(mm)	ET(mm)	BFL(mm)
YXS1008	8.00	11.00	7.20	3.67	4.90	2.00	4.64
YXS1010	10.00	14.00	9.00	4.58	5.60	2.00	6.16
YXS1012	12.70	15.00	10.00	5.82	4.80	2.00	9.41
YXS1025	25.00	15.00	10.00	11.46	3.10	2.00	22.87
YXS2025	25.00	23.00	15.00	11.46	4.80	2.00	21.71
YXS3025	25.00	30.00	20.00	11.46	7.80	2.00	19.65
YXS4025	25.40	35.00	23.00	11.64	11.60	2.00	17.45
YXS1030	30.00	30.00	20.00	13.75	6.30	2.00	25.68
YXS1075	75.00	30.00	20.00	34.38	3.50	2.00	72.60
YXS1100	100.00	45.00	30.00	45.85	5.50	3.00	96.23
YXS1500	500.00	45.00	30.00	229.23	3.50	3.00	497.60