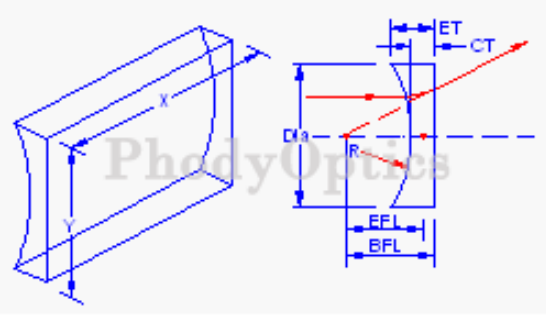


UV Fused Silica Plano Concave Cylindrical Lenses

Material:	UV Fused Silica	
Design Wavelength:	587.6nm	
Design Index:	1.45846±0.0005	
Focal Length Tolerance:	±1%	
Diameter Tolerance:	+0.0,-0.1mm	
Center Thickness:	±0.1mm	
Surface Figure:	$\lambda/4@632.8\text{nm}$	
Surface Quality:	40-20 scratch and dig	
Centration:	3 arc minutes	
Clear Aperture:	>90%	
Bevel:	<0.25mm x 45°	
Coating:	specified by customer	

UV Fused Silica Plano Concave Cylindrical Lenses

Part No.	EFL(mm)	X(mm)	Y(mm)	R1(mm)	CT(mm)	ET(mm)	BFL(mm)
YVS1008	-8.00	11.00	7.20	-3.67	2.00	4.90	-9.37
YVS1010	-10.00	14.00	9.00	-4.58	2.00	5.60	-11.37
YVS1012	-12.70	15.00	10.00	-5.82	2.00	4.80	-14.07
YVS1025	-25.00	15.00	10.00	-11.46	2.00	3.10	-26.37
YVS2025	-25.00	23.00	15.00	-11.46	2.00	4.80	-26.37
YVS3025	-25.00	30.00	20.00	-11.46	2.00	7.80	-26.37
YVS4025	-25.40	33.00	22.00	-11.64	2.00	9.70	-26.77
YVS1030	-30.00	30.00	20.00	-13.75	2.00	6.30	-31.37
YVS1075	-75.00	30.00	20.00	-34.38	2.00	3.50	-76.37
YVS1100	-100.00	45.00	30.00	-45.85	3.00	5.50	-102.06
YVS1500	-500.00	45.00	30.00	-229.23	3.00	3.50	-502.06