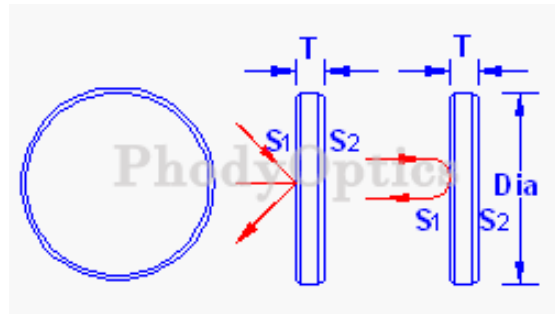



Round Flat Mirrors

Material:	BK7,B270,UV-grade fused silica
Diameter Tolerance:	+0.0,-0.1mm
Center Thickness:	±0.1mm
Surface Figure:	(S1) $\lambda/4-\lambda/10@632.8\text{nm}$
Surface Quality:	(S1)40-20 scratch and dig
Parallelism:	1 arc minutes
Clear Aperture:	>90%
Bevel:	<0.25mm x 45°
Coating:	as the following sheet


Round Flat Mirrors

Design	Reflectivity	Dia(mm)	T(mm)
Protected Aluminum (UV ,VIS)	≈90%	12.70	3.00
		25.40	4.00
		50.80	5.00
Protected Silver	700nm-2000nm >95%	12.70	3.00
		25.40	4.00
		50.80	5.00
Protected Gold	8 μ m-12 μ m >98%	12.70	3.00
		25.40	4.00
		50.80	5.00
248nm	0° Aol >99% 45° Aol >99%	12.70	3.00
		25.40	4.00
		50.80	5.00
532nm	0° Aol >99.5% 45° Aol >99.5%	12.70	3.00
		25.40	4.00
		50.80	5.00
633nm	0° Aol >99.5% 45° Aol >99.5%	12.70	3.00
		25.40	4.00
		50.80	5.00
808nm	0° Aol >99.5% 45° Aol >99.5%	12.70	3.00
		25.40	4.00
		50.80	5.00
1064nm	0° Aol >99.5% 45° Aol >99.5%	12.70	3.00
		25.40	4.00
		50.80	5.00