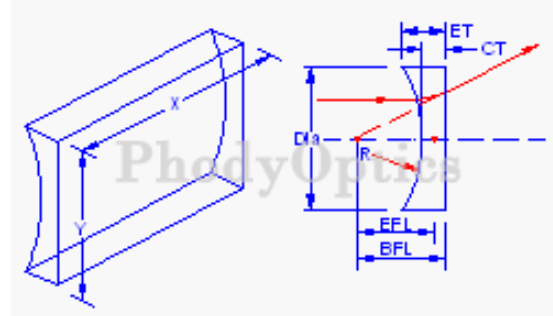


➔ BK7 Plano Concave Cylindrical Lenses

Material:	BK7 grade A optical glass
Design Wavelength:	587.6nm
Design Index:	1.51680±0.0005
Focal Length Tolerance:	±1%
Diameter Tolerance:	+0.0,-0.1mm
Center Thickness:	±0.2mm
Surface Figure:	$\lambda/4@632.8\text{nm}$
Surface Quality:	40-20 scratch and dig
Centration:	3 arc minutes
Clear Aperture:	>90%
Bevel:	<0.25mm x 45°
Coating:	specified by customer



BK7 Plano Concave Cylindrical Lenses

Part No.	EFL(mm)	X(mm)	Y(mm)	R1(mm)	CT(mm)	ET(mm)	BFL(mm)
YVK1003	-3.90	6.00	4.00	-2.02	2.00	2.70	-5.22
YVK2003	-3.90	8.00	4.00	-2.02	2.00	2.70	-5.22
YVK1004	-4.00	6.00	4.00	-2.07	2.00	2.60	-5.32
YVK2004	-4.00	8.00	4.00	-2.07	2.00	2.60	-5.32
YVK1005	-5.80	6.00	4.00	-3.00	2.00	2.40	-7.12
YVK2005	-5.80	8.00	4.00	-3.00	2.00	2.40	-7.12
YVK1006	-6.40	8.00	6.00	-3.31	2.00	3.20	-7.72
YVK2006	-6.40	12.00	6.00	-3.31	2.00	3.20	-7.72
YVK1007	-7.70	9.00	7.00	-3.98	2.00	3.40	-9.02
YVK2007	-7.70	14.00	7.00	-3.98	2.00	3.40	-9.02
YVK1009	-9.70	12.00	10.00	-5.01	2.00	4.80	-11.02
YVK2009	-9.70	20.00	10.00	-5.01	2.00	4.80	-11.02
YVK1012	-12.70	12.00	10.00	-6.56	2.00	3.80	-14.02
YVK2012	-12.70	20.00	10.00	-6.56	2.00	3.80	-14.02
YVK1013	-13.70	15.00	13.00	-7.08	2.00	5.30	-15.02
YVK2013	-13.70	26.00	13.00	-7.08	2.00	5.30	-15.02
YVK1015	-15.00	12.00	10.00	-7.75	2.00	3.40	-16.32
YVK2015	-15.00	20.00	10.00	-7.75	2.00	3.40	-16.32
YVK1019	-19.00	21.00	19.00	-9.82	2.00	7.90	-20.32
YVK2019	-19.00	38.00	19.00	-9.82	2.00	7.90	-20.32
YVK1020	-20.00	17.00	15.00	-10.34	2.00	4.70	-21.32
YVK2020	-20.00	30.00	15.00	-10.34	2.00	4.70	-21.32


BK7 Plano Concave Cylindrical Lenses

Part No.	EFL(mm)	X(mm)	Y(mm)	R1(mm)	CT(mm)	ET(mm)	BFL(mm)
YVK1022	-22.20	15.00	12.50	-11.47	2.00	3.50	-23.52
YVK2022	-22.20	25.00	12.50	-11.47	2.00	3.50	-23.52
YVK1025	-25.00	12.00	10.00	-12.92	2.00	2.80	-26.32
YVK2025	-25.00	20.00	10.00	-12.92	2.00	2.80	-26.32
YVK3025	-25.40	18.00	16.00	-13.13	2.00	4.40	-26.72
YVK4025	-25.40	32.00	16.00	-13.13	2.00	4.40	-26.72
YVK5025	-25.40	28.00	25.40	-13.13	2.00	10.30	-26.72
YVK6025	-25.40	51.00	25.40	-13.13	2.00	10.30	-26.72
YVK1030	-30.00	22.00	20.00	-15.50	2.00	5.30	-31.32
YVK2030	-30.00	40.00	20.00	-15.50	2.00	5.30	-31.32
YVK1038	-38.10	28.00	26.00	-19.69	2.00	6.50	-39.42
YVK2038	-38.10	52.00	26.00	-19.69	2.00	6.50	-39.42
YVK1040	-40.00	12.00	10.00	-20.67	2.00	2.50	-41.32
YVK2040	-40.00	20.00	10.00	-20.67	2.00	2.50	-41.32
YVK1050	-50.00	22.00	20.00	-25.84	2.00	3.80	-51.32
YVK2050	-50.00	40.00	20.00	-25.84	2.00	3.80	-51.32
YVK3050	-50.00	32.00	30.00	-25.84	2.00	6.50	-51.32
YVK4050	-50.00	60.00	30.00	-25.84	2.00	6.50	-51.32
YVK5050	-50.80	53.00	50.80	-26.25	2.00	19.90	-52.12
YVK6050	-50.80	90.00	50.80	-26.25	2.00	19.90	-52.12
YVK1060	-60.00	32.00	30.00	-31.01	2.00	5.60	-61.32
YVK2060	-60.00	60.00	30.00	-31.01	2.00	5.60	-61.32
YVK3060	-60.00	62.00	60.00	-31.01	2.00	23.50	-61.32
YVK4060	-60.00	95.00	60.00	-31.01	2.00	23.50	-61.32
YVK1062	-62.90	53.00	50.80	-32.51	2.00	13.60	-64.22
YVK2062	-62.90	95.00	50.80	-32.51	2.00	13.60	-64.22
YVK1070	-70.00	32.00	30.00	-36.18	2.00	5.00	-71.32
YVK2070	-70.00	60.00	30.00	-36.18	2.00	5.00	-71.32
YVK1075	-75.00	53.00	50.80	-38.76	2.00	11.10	-76.32
YVK2075	-75.00	90.00	50.80	-38.76	2.00	11.10	-76.32
YVK3075	-75.60	53.00	50.80	-39.07	3.00	12.00	-77.58
YVK4075	-75.60	90.00	50.80	-39.07	3.00	12.00	-77.58
YVK1080	-80.00	22.00	20.00	-41.34	3.00	4.10	-81.98
YVK2080	-80.00	40.00	20.00	-41.34	3.00	4.10	-81.98
YVK3080	-80.00	82.00	80.00	-41.34	3.00	32.10	-81.98
YVK4080	-80.00	145.00	80.00	-41.34	3.00	32.10	-81.98
YVK1100	-100.00	32.00	30.00	-51.68	3.00	5.10	-101.98
YVK2100	-100.00	60.00	30.00	-51.68	3.00	5.10	-101.98


BK7 Plano Concave Cylindrical Lenses

Part No.	EFL(mm)	X(mm)	Y(mm)	R1(mm)	CT(mm)	ET(mm)	BFL(mm)
YVK3100	-100.00	90.00	100.00	-51.68	3.00	39.90	-101.98
YVK4100	-100.00	145.00	100.00	-51.68	3.00	39.90	-101.98
YVK1130	-130.00	32.00	30.00	-67.18	3.00	4.60	-131.98
YVK2130	-130.00	60.00	30.00	-67.18	3.00	4.60	-131.98
YVK1150	-150.00	32.00	30.00	-77.52	3.00	4.40	-151.98
YVK2150	-150.00	60.00	30.00	-77.52	3.00	4.40	-151.98
YVK3150	-150.00	90.00	100.00	-77.52	3.00	20.90	-151.98
YVK4150	-150.00	145.00	100.00	-77.52	3.00	20.90	-151.98
YVK1200	-200.00	32.00	30.00	-103.36	3.00	4.00	-201.98
YVK2200	-200.00	60.00	30.00	-103.36	3.00	4.00	-201.98
YVK3200	-200.00	90.00	100.00	-103.36	3.00	15.60	-201.98
YVK4200	-200.00	145.00	100.00	-103.36	3.00	15.60	-201.98
YVK1250	-250.00	32.00	30.00	-129.20	3.00	3.80	-251.98
YVK2250	-250.00	60.00	30.00	-129.20	3.00	3.80	-251.98
YVK1300	-300.00	62.00	60.00	-155.04	3.00	5.80	-301.98
YVK2300	-300.00	95.00	60.00	-155.04	3.00	5.80	-301.98
YVK1400	-400.00	32.00	30.00	-206.72	3.00	3.50	-401.98
YVK2400	-400.00	60.00	30.00	-206.72	3.00	3.50	-401.98
YVK1500	-500.00	32.00	30.00	-258.40	3.00	3.40	-501.98
YVK2500	-500.00	60.00	30.00	-258.40	3.00	3.40	-501.98
YVK1700	-700.00	32.00	30.00	-361.76	3.00	3.30	-701.98
YVK2700	-700.00	60.00	30.00	-361.76	3.00	3.30	-701.98
YVK1110	-1000.00	32.00	30.00	-516.80	3.00	3.20	-1001.98
YVK2110	-1000.00	60.00	30.00	-516.80	3.00	3.20	-1001.98